

13R-100

Compact Residential Package
Design Condition: 100GPM @ 90PSI

Please Note:

This Talco 13R-Compact package uses a pump that does not carry the UL/FM fire pump listing. Please submit for approval to local AHJ prior to ordering. Submittal packets available at www.talcofire.com

System Specifications:

Motor

- 10 Horsepower Electric (UL Listed by manufacturer)
- 230 Volt, 46 Amp
- Single Phase
- 3450 RPM

Pump

- High pressure cast iron volute
- Machined bronze impeller
- 2" Suction
- 1 1/2" Discharge
- 150 PSI max working pressure

Suction Manifold

- Monitored ball valve (UL Listed by manufacturer)
- +100 to -30 PSI pressure gauge

Discharge Manifold

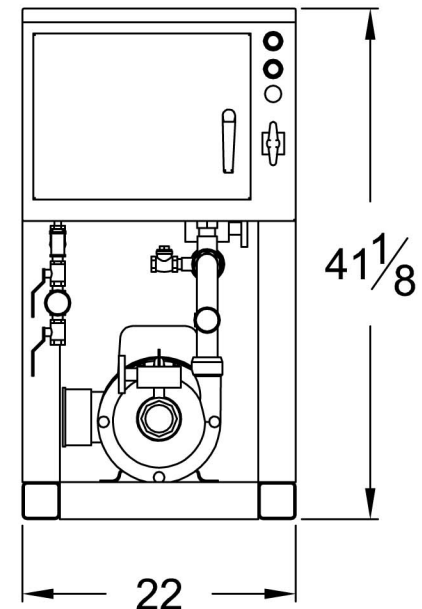
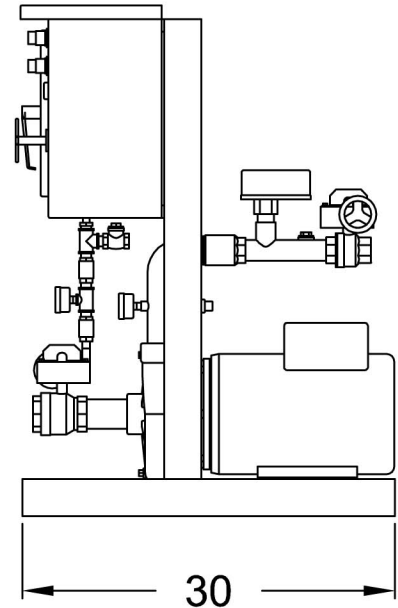
- Case pressure relief valve (Watts UL Listed)
- Check Valve
- Zero to 160 PSI pressure gauge
- Flow switch (Potter UL Listed)
- Monitored ball valve (UL Listed by manufacturer)

Controls

- UL Listed Eaton FDR Residential Controller
- Hard copper sensing line (per NFPA 20)

Dimensions

- 30" Length
- 41" Height
- 22" Width
- 290 pounds



Performance

Performance values based on multiple pump tests. Not for certification purposes.

GPM	0	25	50	75	100	125	150	175
PSI	93	93	93	91	90	86	82	75