

13R-150

Compact Residential Package
Design Condition: 150GPM @ 65PSI

Please Note:
This Talco 13R-Compact package uses a pump that does not carry the UL/FM fire pump listing. Please submit for approval to local AHJ prior to ordering. Submittal packets available at www.talcofire.com

System Specifications:

- Motor**
- 10 Horsepower Electric (UL Listed by manufacturer)
 - 230 Volt, 46 Amp
 - Single Phase
 - 3450 RPM

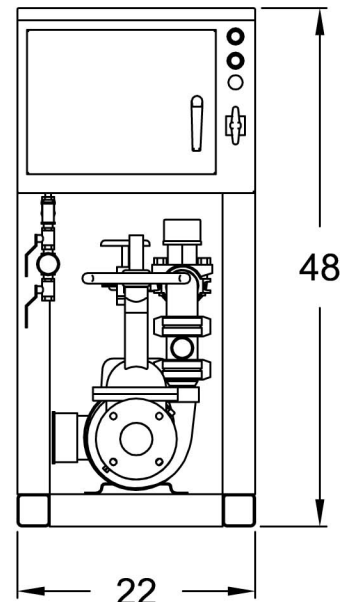
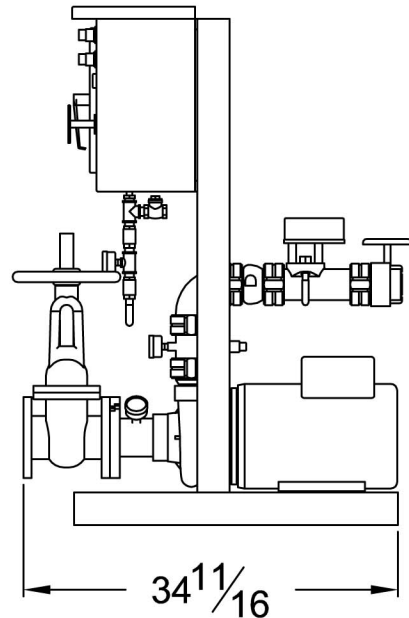
- Pump**
- High pressure cast iron volute
 - Machined bronze impeller
 - 3" Suction
 - 2 1/2" Discharge
 - 150 PSI max working pressure

- Suction Manifold**
- Monitored ball valve (UL Listed by manufacturer)
 - +100 to -30 PSI pressure gauge

- Discharge Manifold**
- Case pressure relief valve (Watts UL Listed)
 - Check Valve
 - Zero to 160 PSI pressure gauge
 - Flow switch (Potter UL Listed)
 - Monitored ball valve (UL Listed by manufacturer)

- Controls**
- UL Listed Eaton FDR Residential Controller
 - Hard copper sensing line (per NFPA 20)

- Dimensions**
- 34 1/16" Length
 - 48" Height
 - 22" Width
 - 320 pounds



Performance

Performance values based on multiple pump tests. Not for certification purposes.

GPM	0	60	90	110	150	180	200	225
PSI	72	72	71	70	67	64	62	57