

## 13R-75

Compact Residential Package  
Design Condition: 75GPM @ 70PSI

**Please Note:**

This Talco 13R-Compact package uses a pump that does not carry the UL/FM fire pump listing. Please submit for approval to local AHJ prior to ordering. Submittal packets available a [www.talcofire.com](http://www.talcofire.com)

**System Specifications:**

**Motor**

- 7.5 Horsepower Electric (UL Listed by manufacturer)
- 230 Volt, 37 Amp
- Single Phase
- 3450 RPM

**Pump**

- High pressure cast iron volute
- Machined bronze impeller
- 2" Suction
- 1 1/2" Discharge
- 150 PSI max working pressure

**Suction Manifold**

- Monitored ball valve (UL Listed by manufacturer)
- +100 to -30 PSI pressure gauge

**Discharge Manifold**

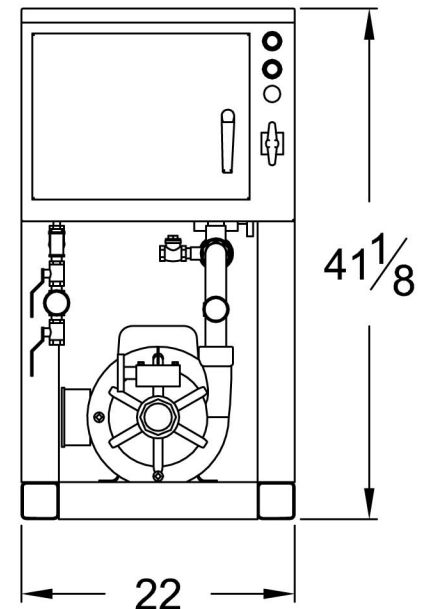
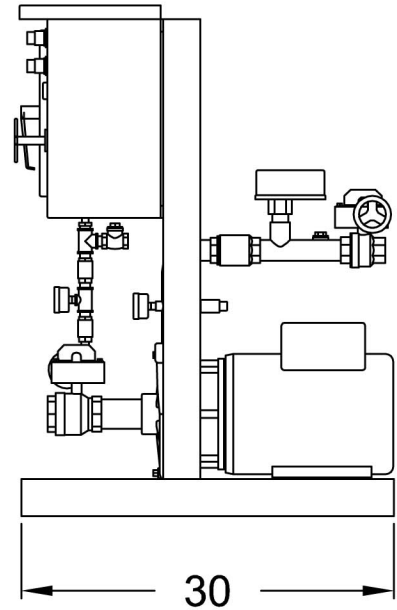
- Case pressure relief valve (Watts UL Listed)
- Check Valve
- Zero to 160 PSI pressure gauge
- Flow switch (Potter UL Listed)
- Monitored ball valve (UL Listed by manufacturer)

**Controls**

- UL Listed Eaton FDR Residential Controller
- Hard copper sensing line (per NFPA 20)

**Dimensions**

- 30" Length
- 41" Height
- 22" Width
- 270 pounds



### Performance

Performance values based on multiple pump tests. Not for certification purposes.

GPM	0	65	75	85	95	105	115	125
PSI	77	71	70	68	66	64	62	59