

# Talco Fire Systems

Residential & Commercial Packaged Fire Pump Specialists

Portland, Oregon

## LSF-1000CIF

Compact Residential Package

125GPM @ 75PSI

### System Specifications

#### Motor

- 10 horsepower electric
- 230 Volt, 46 Amp
- Single Phase
- 3450 RPM

#### Pump

- High pressure cast iron volute
- Machined bronze impeller
- 2" Suction
- 1½" Discharge
- 150 PSI Max Working Pressure

#### Discharge Manifold

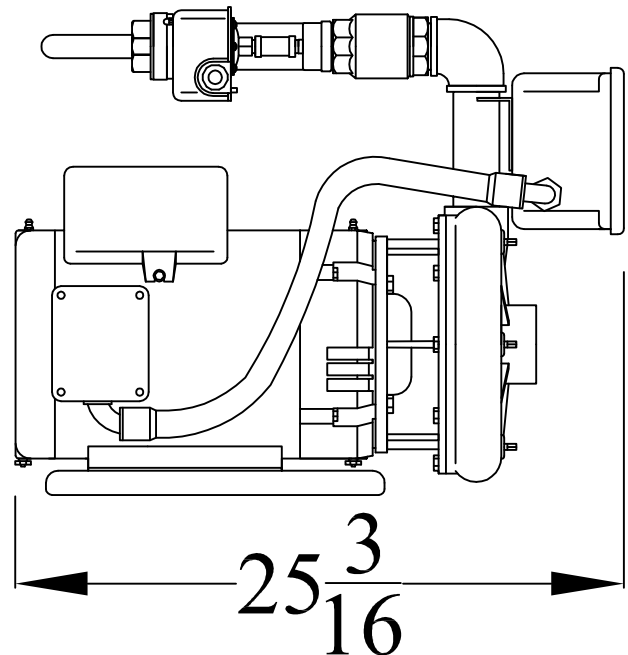
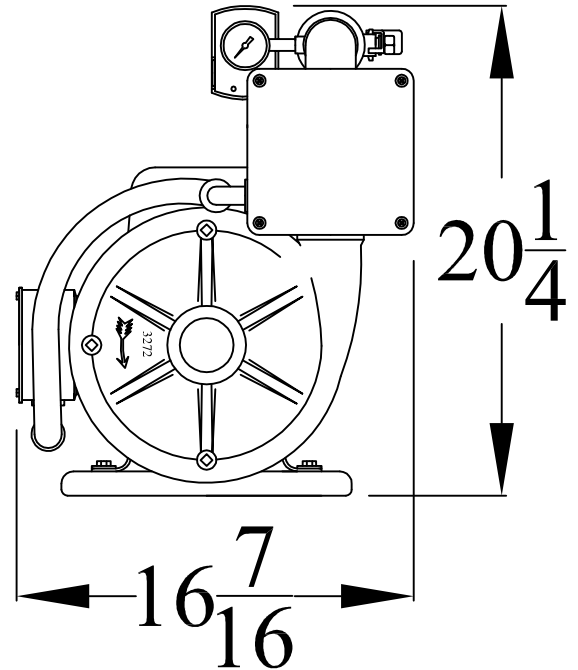
- Check Valve
- Zero to 100 PSI pressure gauge
- 40/60 pressure switch
- Isolation ball valve

#### Controls

- 230 Volt
- Minimum run timer
- Pressure switch operated contactor
- HOA toggle switch (Hand, Off, Auto)

#### Dimensions (approximate)

- 25<sup>3</sup>/<sub>16</sub>" Length
- 20<sup>1</sup>/<sub>4</sub>" Height
- 16<sup>7</sup>/<sub>16</sub>" Width
- 202 pounds



## Performance

Performance values based on multiple pump tests. Not for certification purposes.

GPM	0	60	70	80	90	100	125	150
PSI	97	92	90	88	86	84	77	68