

Talco Fire Systems

Residential & Commercial Packaged Fire Pump Specialists

Portland, Oregon

LSF-750CIF

Compact Residential Package

100GPM @ 60PSI

System Specifications

Motor

- 7.5 horsepower electric
- 230 Volt, 37 Amp
- Single Phase
- 3450 RPM

Pump

- High pressure cast iron volute
- Machined bronze impeller
- 2" Suction
- 1½" Discharge
- 150 PSI Max Working Pressure

Discharge Manifold

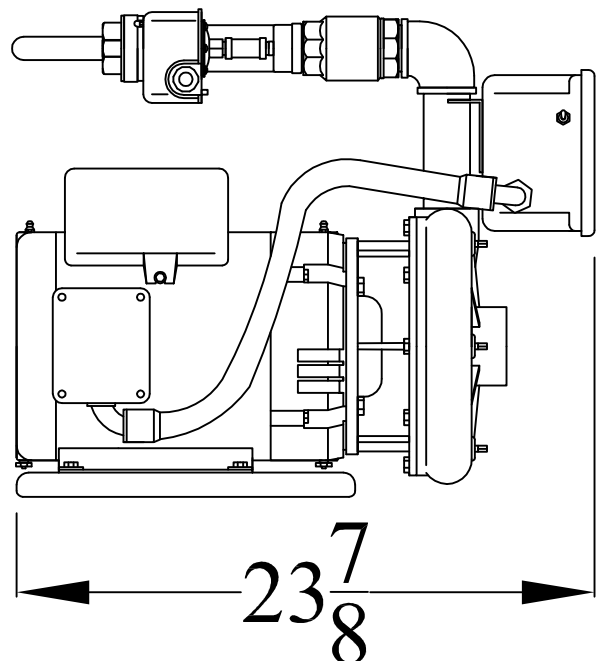
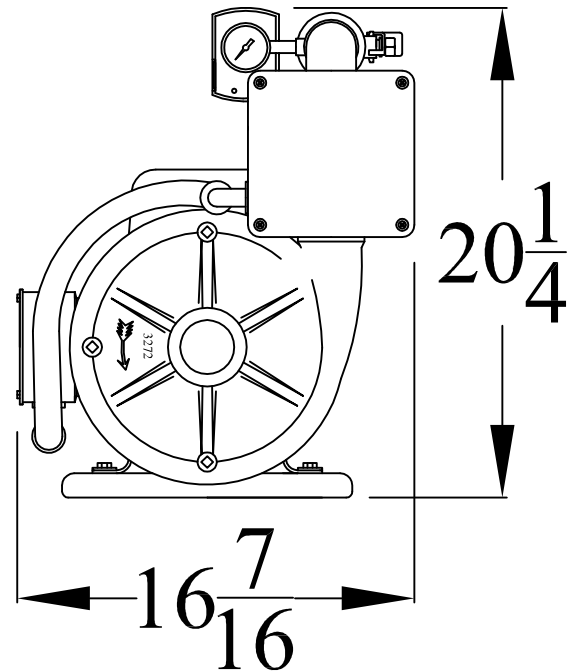
- Check Valve
- Zero to 100 PSI pressure gauge
- 40/60 pressure switch
- Isolation ball valve

Controls

- 230 Volt
- Minimum run timer
- Pressure switch operated contactor
- HOA toggle switch (Hand, Off, Auto)

Dimensions (approximate)

- 23⁷/₈" Length
- 20¹/₄" Height
- 16⁷/₁₆" Width
- 179 pounds



Performance

Performance values based on multiple pump tests. Not for certification purposes.

GPM	0	50	60	70	80	90	100	120
PSI	77	73	72	70	68	64	60	53