

Talco Fire Systems

Residential & Commercial Packaged Fire Pump Specialists

Portland, Oregon

ULR-100

w/Flow Meter, Jockey Pump
Listed Fire Pump & Controller
NFPA-20 Compliant Packaged System

Controller: _____

Jockey Pump: _____

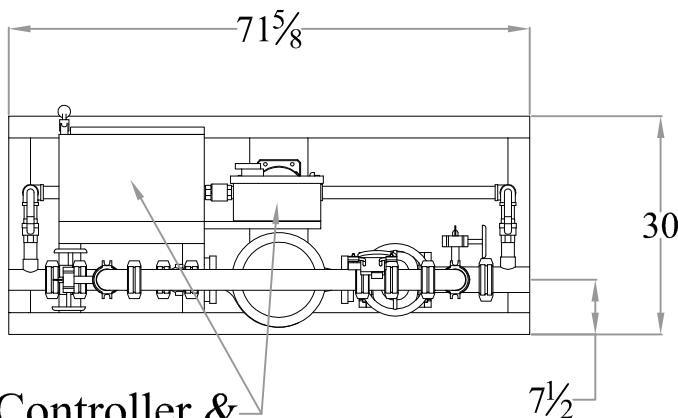
Jockey Controller: _____

Suction x Discharge: 3" Grooved x 2 1/2" Grooved

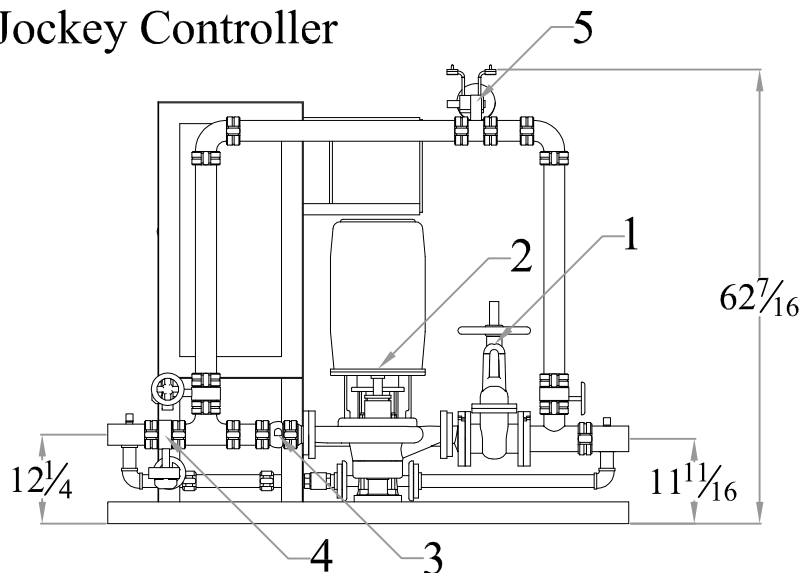
100GPM

2 x 2 - 9C

PSI (range)	Motor HP
66-90	10
91-115	15
116-130	20
131-150	25



Main Controller &
Jockey Controller



DESIGN CONDITIONS

_____ GPM @ _____ PSI
_____ HP _____ V _____ Phase

Project: _____

Contractor: _____

Date: _____

P.O.: _____

System Components

1	OS&Y Gate Valve
2	Inline Pump & Motor
3	Check Valve
4	Monitored Butterfly
5	Flow Meter

Approximate ship weight: < 900#

Phone: (800) 878-8055

www.talcofire.com

Fax: (503) 688-1234