

# Talco Fire Systems

Residential & Commercial Packaged Fire Pump Specialists

Portland, Oregon

## ULR-400

w/Flow Meter, Jockey Pump  
Listed Fire Pump & Controller  
NFPA-20 Compliant Packaged System

Controller: \_\_\_\_\_

Jockey Pump: \_\_\_\_\_

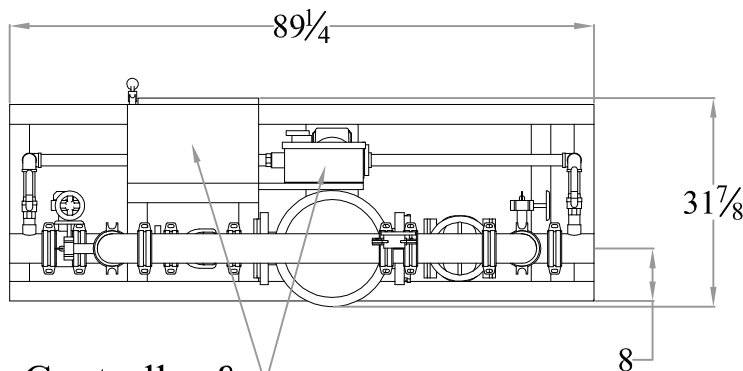
Jockey Controller: \_\_\_\_\_

Suction x Discharge: 6" x 4" Grooved Fittings

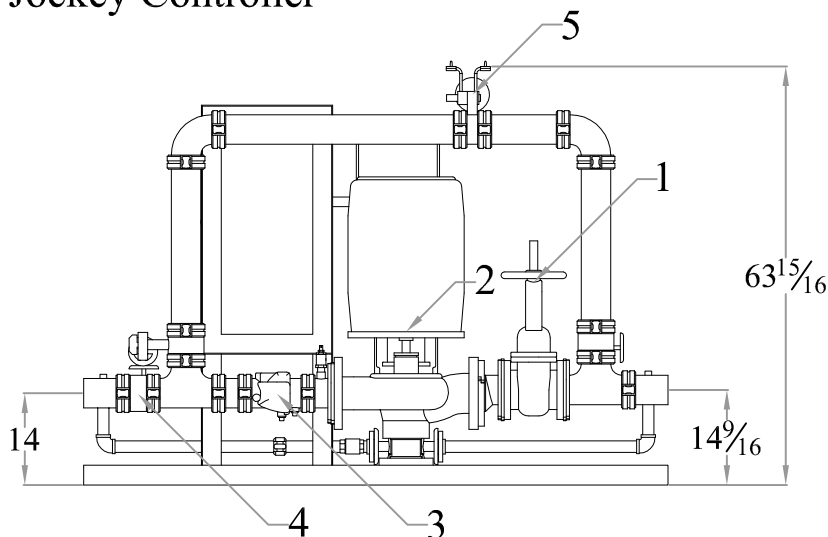
## 400GPM

4 x 5 - 9 & 4 x 5 - 9B

PSI (range)	Motor HP
65-75	25
76-90	30
91-110	40
111-120	50
121-136	60



Main Controller &  
Jockey Controller



### DESIGN CONDITIONS

\_\_\_\_\_ GPM @ \_\_\_\_\_ PSI  
\_\_\_\_\_ HP \_\_\_\_\_ V \_\_\_\_\_ Phase

Project: \_\_\_\_\_

Contractor: \_\_\_\_\_

Date: \_\_\_\_\_

P.O.: \_\_\_\_\_

### System Components

1	OS&Y Gate Valve
2	Inline Pump & Motor
3	Check Valve
4	Monitored Butterfly
5	Flow Meter

Approximate ship weight: < 1600#

Phone: (800) 878-8055

www.talcofire.com

Fax: (503) 688-1234