

Talco Fire Systems

Residential & Commercial Packaged Fire Pump Specialists

Portland, Oregon

ULR-500

w/Test Port, Flow Meter, City By-Pass, Jockey Pump
Listed Fire Pump & Controller
NFPA-20 Compliant Packaged System

Controller: _____

Jockey Pump: _____

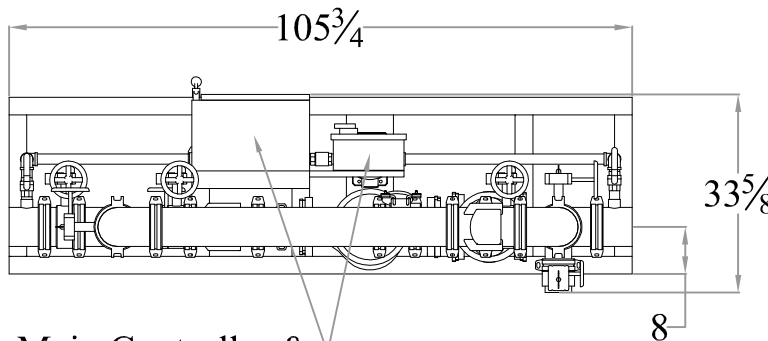
Jockey Controller: _____

Suction & Discharge: 6" Grooved Fittings

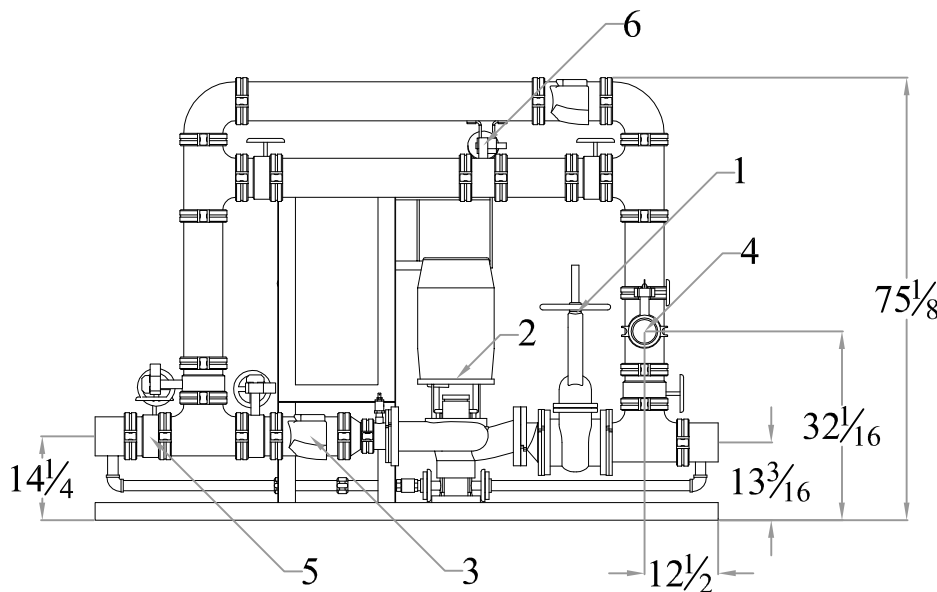
500GPM

4 x 4 - 7B

| PSI (range) | Motor HP |
|----------------|-------------|
| 55-60 | 25 |
| 61-71 | 30 |



Main Controller &
Jockey Controller



DESIGN CONDITIONS

_____ GPM @ _____ PSI
_____ HP _____ V _____ Phase

Project: _____

Contractor: _____

Date: _____

P.O.: _____

System Components

| | |
|---|----------------------|
| 1 | OS&Y Gate Valve |
| 2 | Inline Pump & Motor |
| 3 | Check Valve |
| 4 | Test Port Connection |
| 5 | Monitored Butterfly |
| 6 | Flow Meter |

Approximate ship weight: < 1800#

Phone: (800) 878-8055

www.talcofire.com

Fax: (503) 688-1234