

# Talco Fire Systems

Residential & Commercial Packaged Fire Pump Specialists

Portland, Oregon

## ULR-750

w/Test Port, Flow Meter, City By-Pass, Jockey Pump  
Listed Fire Pump & Controller  
NFPA-20 Compliant Packaged System

Controller: \_\_\_\_\_

Jockey Pump: \_\_\_\_\_

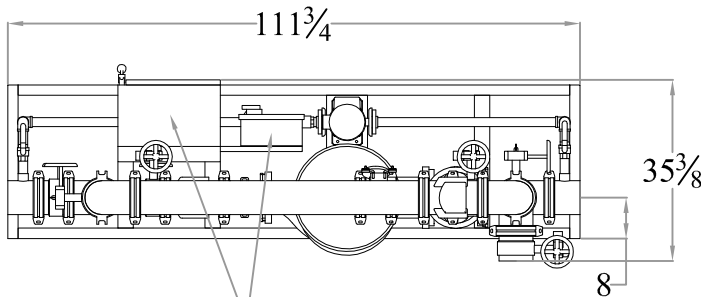
Jockey Controller: \_\_\_\_\_

Suction & Discharge: 6" Grooved Fittings

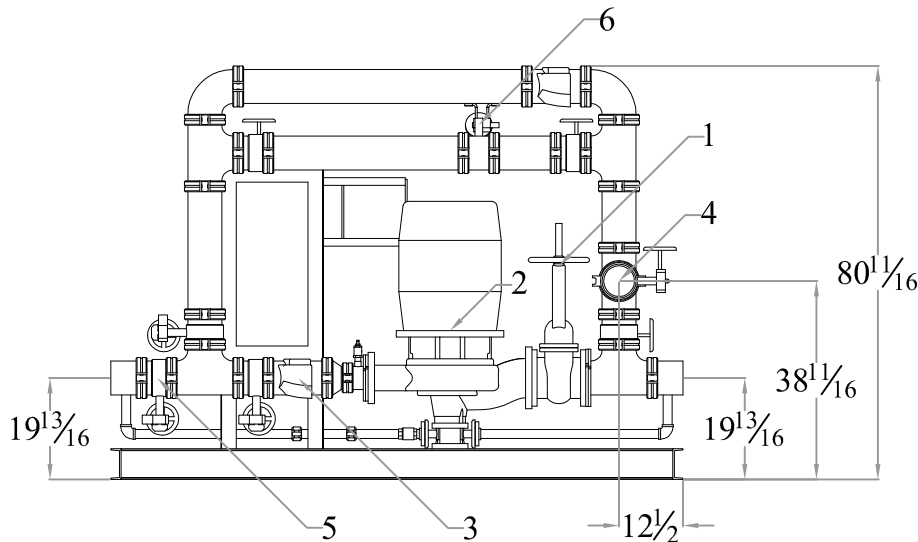
## 750GPM

4 x 6 - 13

PSI (range)	Motor HP
54	40
55-65	50
66-75	60
76-84	75



Main Controller &  
Jockey Controller



### DESIGN CONDITIONS

\_\_\_\_\_ GPM @ \_\_\_\_\_ PSI  
\_\_\_\_\_ HP \_\_\_\_\_ V \_\_\_\_\_ Phase

Project: \_\_\_\_\_

Contractor: \_\_\_\_\_

Date: \_\_\_\_\_

P.O.: \_\_\_\_\_

### System Components

1	OS&Y Gate Valve
2	Inline Pump & Motor
3	Check Valve
4	Test Port Connection
5	Monitored Butterfly
6	Flow Meter

Approximate ship weight: 2800#

Phone: (800) 878-8055

www.talcofire.com

Fax: (503) 688-1234