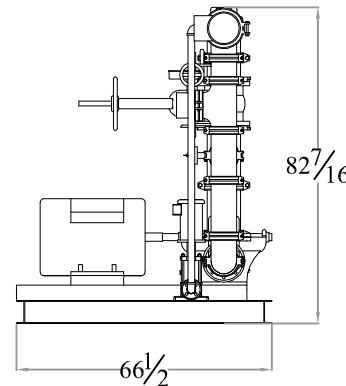
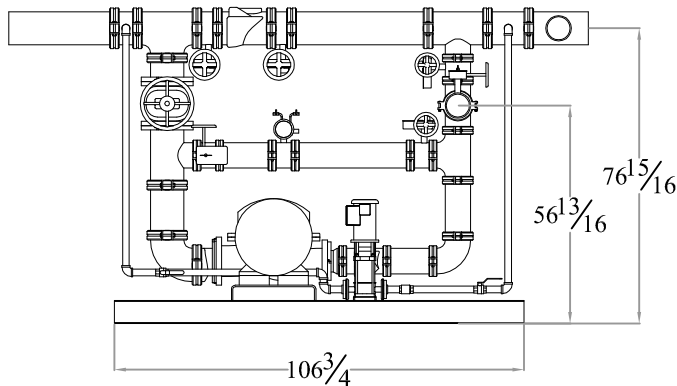
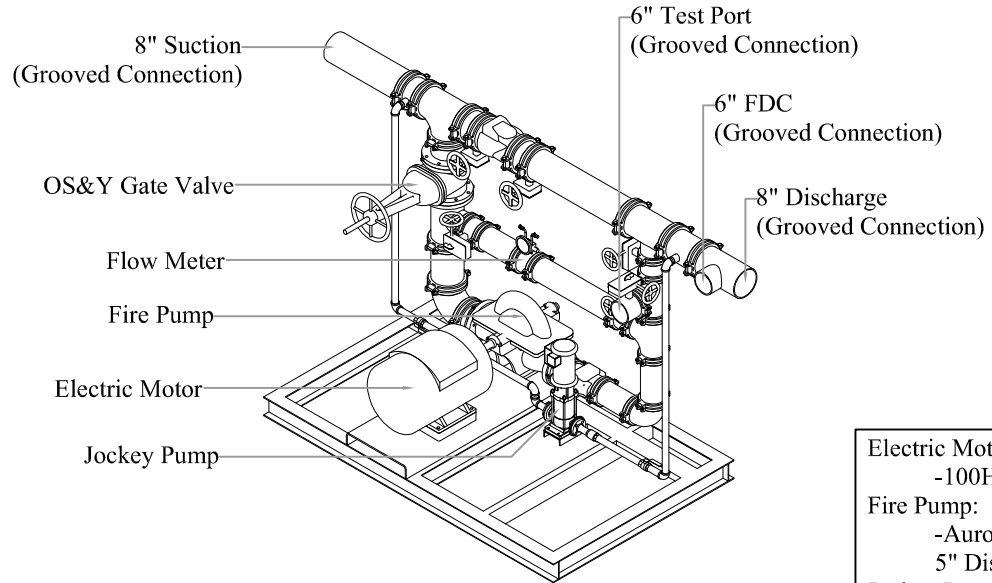
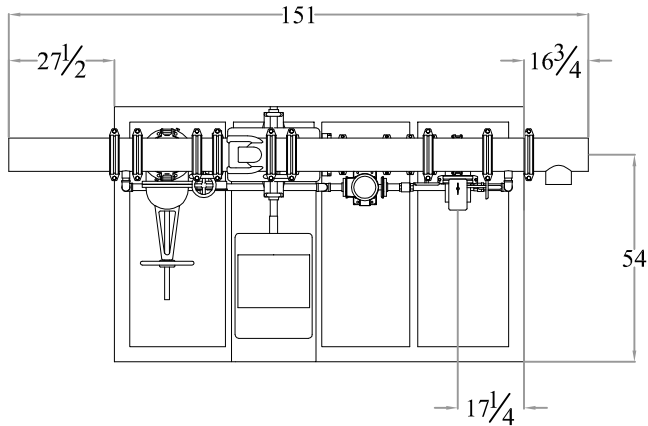


Talco Fire Systems

Residential & Commercial Packaged Fire Pump Specialists

Portland, Oregon

NFPA-20 Packaged Fire Pump System



- | |
|---|
| <p>Electric Motor:
 -100HP 460V 3-Phase</p> <p>Fire Pump:
 -Aurora 5-481-17
 5" Discharge - 6" Suction</p> <p>Jockey Pump:
 -Goulds SVBK</p> <p>Controls:
 -Tornatech GPS+GPU
 w/Soft Start & ATS
 Main Controller
 -Tornatech JP2
 Jockey Controller</p> |
|---|

- | |
|--|
| <p>DESIGN CONDITIONS</p> <p><u>1000</u> GPM @ <u>100</u> PSI</p> <p><u>100</u> HP <u>460</u> V <u>3</u> Phase</p> |
|--|

Phone: (800) 878-8055

www.talcofire.com

Fax: (503) 688-1234