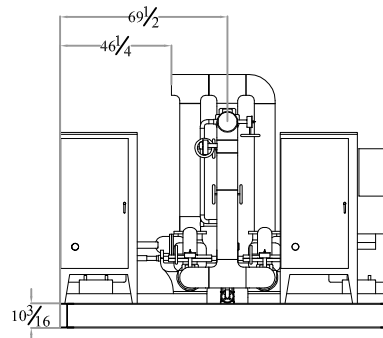
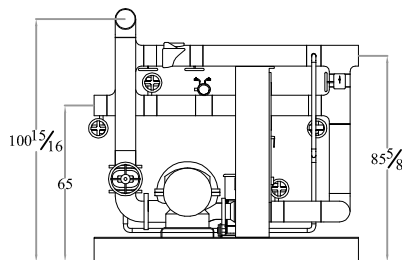
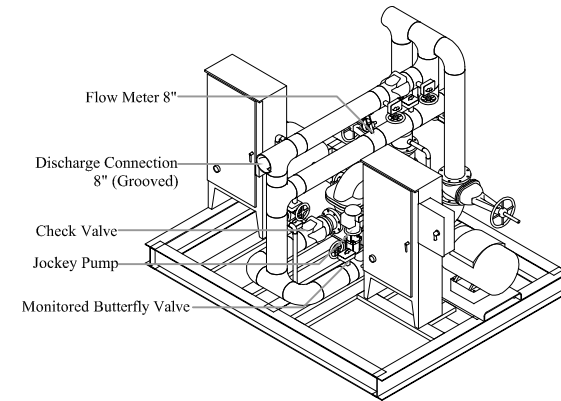
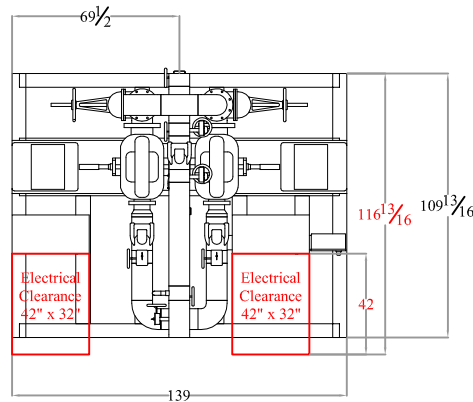
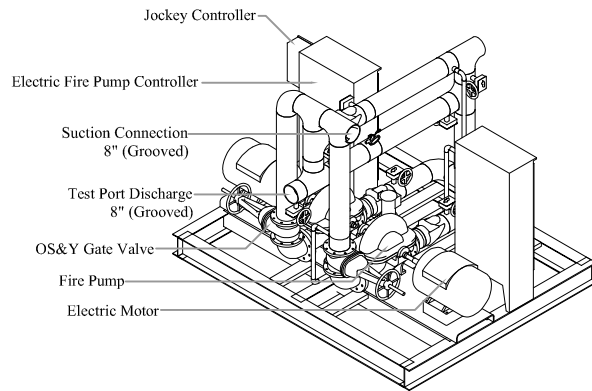


Talco Fire Systems

Residential & Commercial Packaged Fire Pump Specialists

Portland, Oregon

NFPA-20 Packaged Fire Pump System



Electric Pump #1:
-Aurora 6-481-20
8" Suction 6" Discharge

Electric Motor #1:
-150hp 460V 3-ph

Electric Pump #2:
-Aurora 6-481-20
8" Suction 6" Discharge

Electric Motor #2:
-150hp 460V 3-ph

Controls:
-Metron MP-700
-Metron MP-700

Jockey Pump:
-Goulds SVBK

Jockey Controller:
-Metron M15B

DESIGN CONDITIONS PUMP 1
1500 GPM @ 105 PSI
150 HP 460 V 3 Phase

DESIGN CONDITIONS PUMP 2
1500 GPM @ 105 PSI
150 HP 460 V 3 Phase

Phone: (800) 878-8055

www.talcofire.com

Fax: (503) 688-1234