

TALCO

Fire Systems

FFX NitroPower Fire Water System

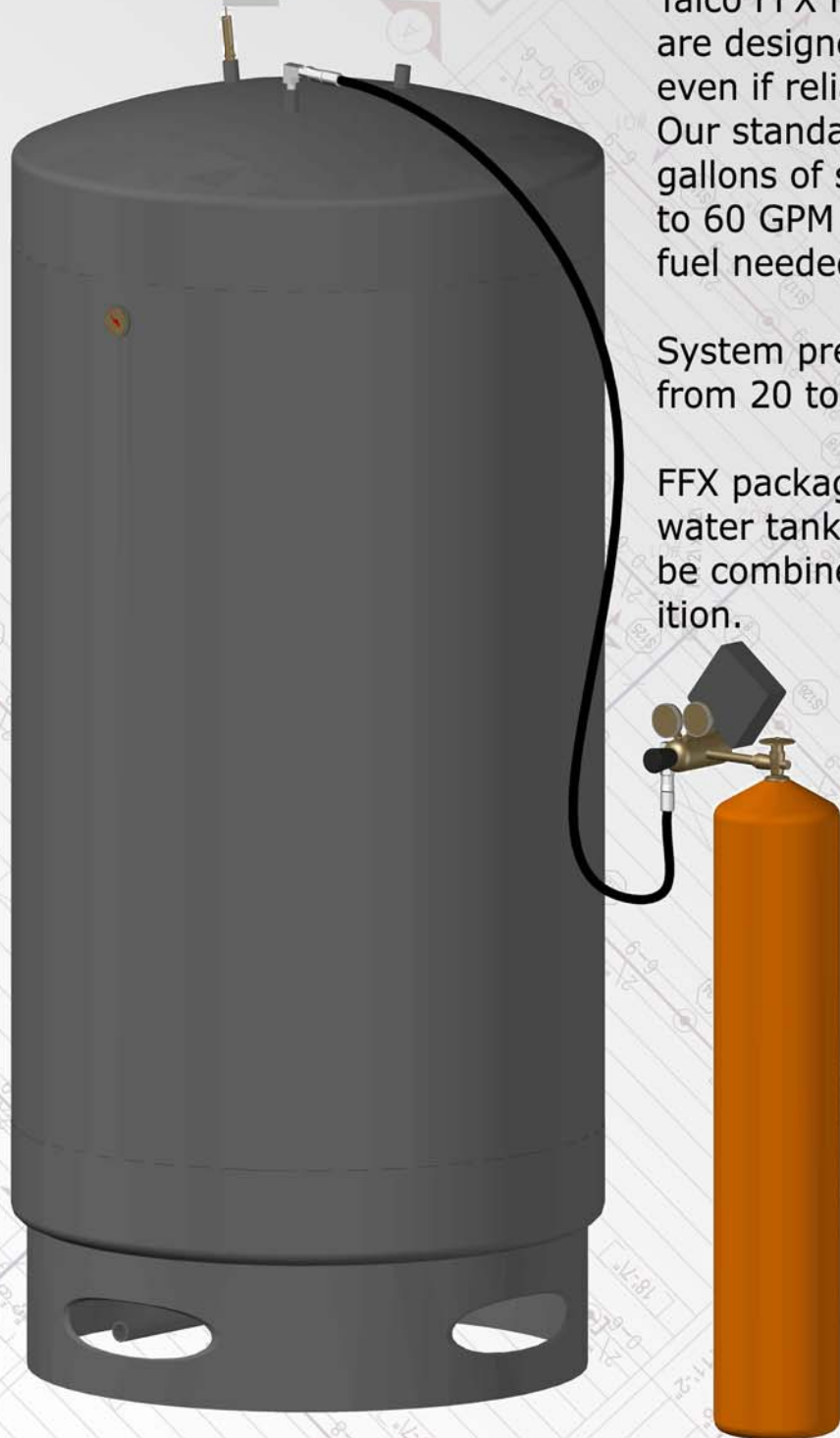
Talco FFX NitroPower packaged systems are designed to provide fire protection even if reliable power is not available. Our standard system provides 300 gallons of stored water delivered at up to 60 GPM with no electricity or diesel fuel needed.

System pressure is easily adjustable from 20 to well in excess of 100 PSI.

FFX packages are scalable, multiple water tanks and pressure cylinders may be combined to meet any design condition.

FFX systems require little-to-no regular maintenance. Once properly installed they are primed and ready to go for the duration of their service life

With hundreds of installations over the last 15 years, Talco will get you up and running with an easy to install, trouble free FFX NitroPower System.



AURORA - GOULDS - FRANKLIN - CLARKE - CUMMINS - TORNATECH - METRON - EATON

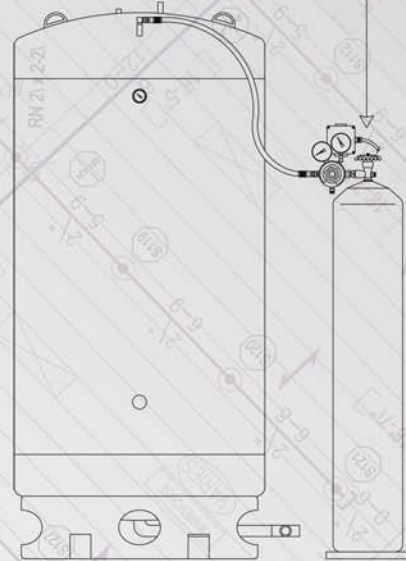
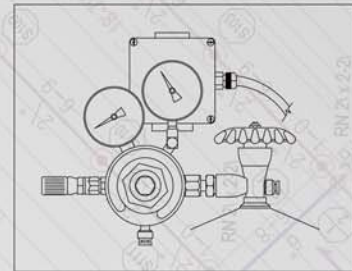
TALCO

Fire Systems

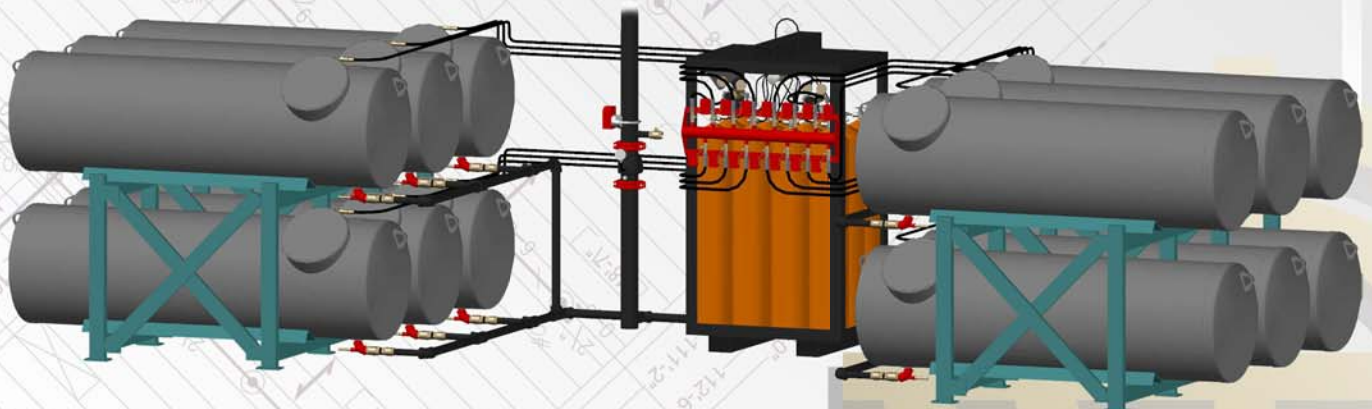
FFX NitroPower Packaged Systems

System Components:

- Premium Brass Regulator
- Zero Leakage Relief Valve
- Compressed Nitrogen Gas Cylinder
- Fabricated Steel Water Pressure Tank (ASME Certified)
- Water Level Gauge
- Brass Check Valve
- Discharge Manifold and Fittings
- Mounting Hardware
- Anti-Microbial Water Treatment



3500 Gallon - 350GPM@75PSI Fire Protection System



DIESEL - ELECTRIC - INLINE - SPLIT CASE - CENTRIFUGAL - TURBINE - SUBMERSIBLE