

TALCO

Fire Systems

G-Series Commercial Packaged Fire Pumps

Talco G-Series Packaged Systems will save you time, money, and headaches. Many contractors overlook hidden costs and automatically rule out packaged systems as too expensive. When comparing the price of a component system and a package, the component system will invariably cost less up front. This is because component system quotes will leave out many things that drive costs upward including valves, fittings, and most importantly, labor.

When assembling a pump room much of the cost is in man hours - everything takes time. First you have to design it, then you have to order and track the various components. Once the parts arrive you have to organize and store them. When everything is ready to go it then has to make it to the jobsite. Pump rooms are not built in a day, they also are not one man projects. Days later, once the pipe-fitters, electricians, and fabricators finish up, the low cost component system you chose has grown a hefty price tag. Along the way you've had to sort out design problems, deal with organizing labor and getting specialty equipment on site, wait for replacement parts to replace what was forgotten/lost/wrong, and while you're busy juggling a hundred details your voice-mail and inbox have overflowed and your crew is idle.

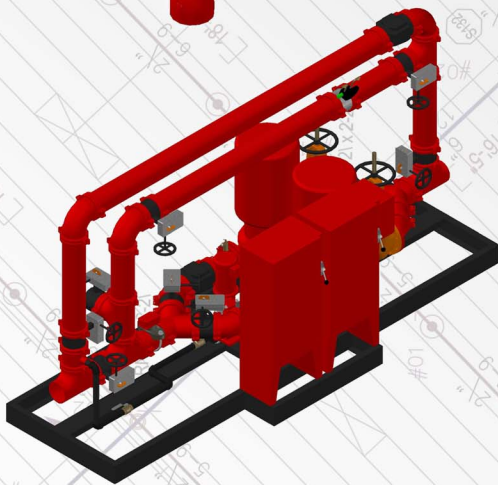
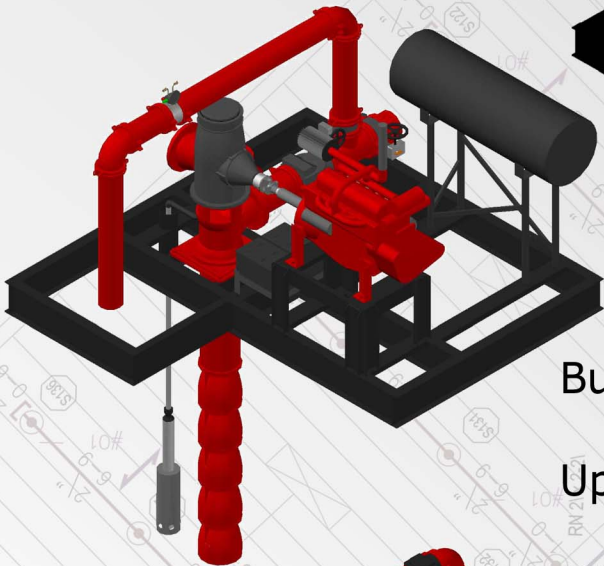
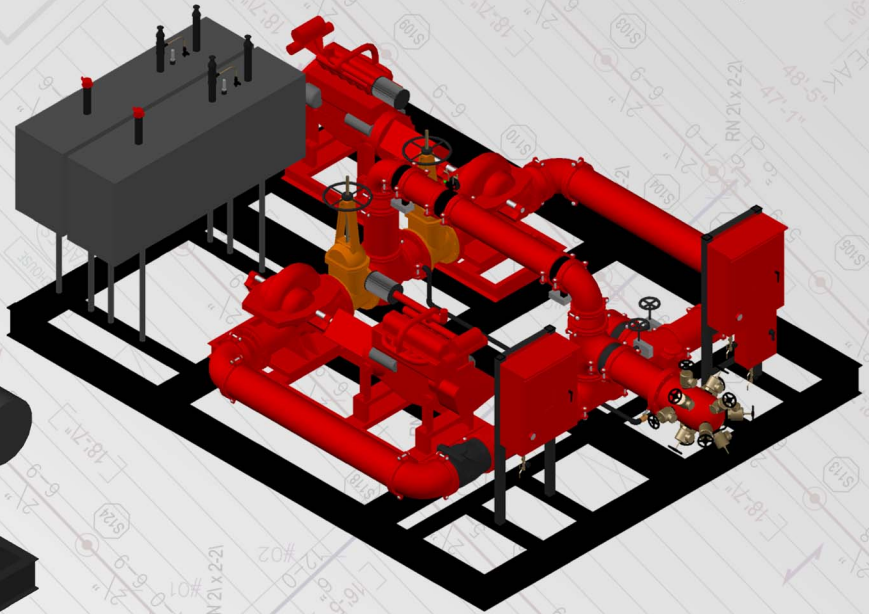
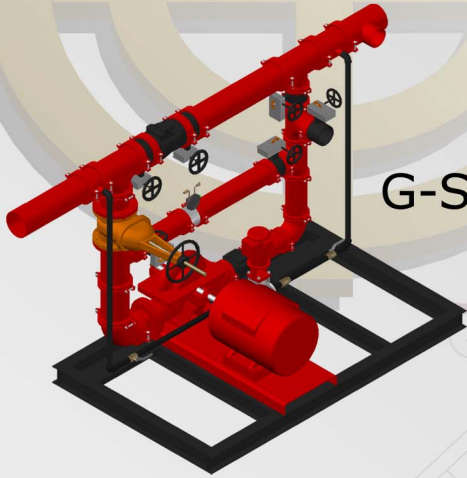
Or - You can call us. We build packaged fire pump systems so you don't have to. From design to start-up we have the experience and expertise to complete any size project on time and as quoted. Your turn-key, frame mounted, wired, piped, and fitted system will arrive on one truck. A one or two man crew can have it installed and running in one or two days. You can get back to lining up the next job instead of straightening out the last one. No hidden costs, no over-time, no headaches.

Let us take the hassle out of your next project,
contact Talco Fire Systems for more information.

TALCO

Fire Systems

G-Series Commercial Packaged Fire Pumps
NFPA-20 Compliant



Built in complete compliance with NFPA-20

Up to 5000GPM from one driver & pump

CAD designed systems with drawings provided for site plan

Frame mounted, powder-coated, piped, wired, fitted, and pressure tested

Flow loops, city by-pass, FDC, test headers, pressure reducing valves, relief valves, water tanks, pump house enclosures, start-up services

Every system is custom built - any configuration, any site layout

DIESEL - ELECTRIC - INLINE - SPLIT CASE - CENTRIFUGAL - TURBINE - SUBMERSIBLE